

SUN2000-215KTL-H3

Smart String Inverter



100A
Per MPPT



99.0%
Max. Efficiency



String-Smart
Switch



Smart I-V Curve
Diagnosis Supported



MBUS
Supported



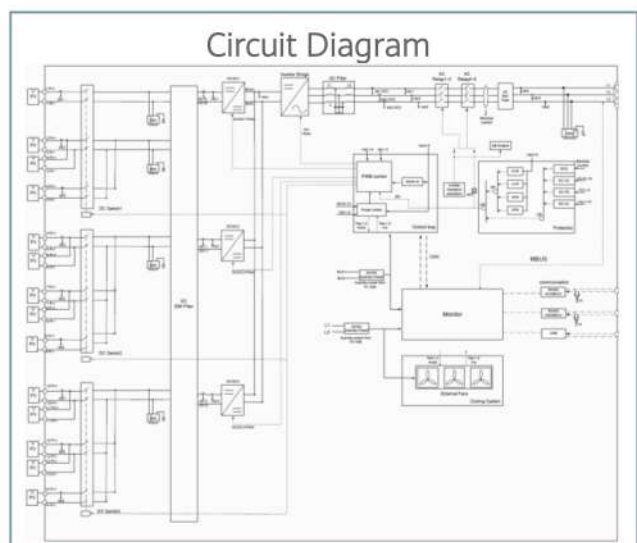
Fuse Free
Design



Surge Arresters for
DC & AC



IP66
Protection



SOLAR.HUAWEI.COM

Technical Specifications

Efficiency	
Max. Efficiency	≥99.0%
European Efficiency	≥98.6%
Input	
Max. Input Voltage	1,500 V
Number of MPP Trackers	3
Max. Current per MPPT	100A/100A/100A
Max. PV Inputs per MPPT	4/5/5
Start Voltage	550 V
MPPT Operating Voltage Range	500 V ~ 1,500 V
Nominal Input Voltage	1,080 V
Output	
Nominal AC Active Power	200,000 W
Max. AC Apparent Power	215,000 VA
Max. AC Active Power (cosφ=1)	215,000 W
Nominal Output Voltage	800 V, 3W + PE
Rated AC Grid Frequency	50 Hz / 60 Hz
Nominal Output Current	144.4 A
Max. Output Current	155.2 A
Adjustable Power Factor Range	0.8 LG ... 0.8 LD
Max. Total Harmonic Distortion	< 1%
Protection	
Input-side Disconnection Device	Yes
Anti-islanding Protection	Yes
AC Overcurrent Protection	Yes
DC Reverse-polarity Protection	Yes
PV-array String Fault Monitoring	Yes
DC Surge Arrester	Type II
AC Surge Arrester	Type II
DC Insulation Resistance Detection	Yes
Residual Current Monitoring Unit	Yes
Communication	
Display	LED Indicators, WLAN + APP
USB	Yes
MBUS	Yes
RS485	Yes
General	
Dimensions (W x H x D)	1,035 x 700 x 365 mm (40.7 x 27.6 x 14.4 inch)
Weight (with mounting plate)	≤86 kg (191.8 lb.)
Operating Temperature Range	-25°C ~ 60°C (-13°F ~ 140°F)
Cooling Method	Smart Air Cooling
Max. Operating Altitude without Derating	4,000 m (13,123 ft.)
Relative Humidity	0 ~ 100%
DC Connector	Staubli MC4 EVO2
AC Connector	Waterproof Connector + OT/DT Terminal
Protection Degree	IP66
Topology	Transformerless

SOLAR.HUAWEI.COM